

# Haida Forest Products Ltd.

8818 Greenall Avenue, Burnaby, B.C. Canada V5J 3M7 Ph. 604-437-3434 Fax. 604-437-7222  
Email: info@haidaforest.com Webpage: www.haidaforest.com

## APPLICATION INSTRUCTIONS FOR HAIDA BEVEL & HAIDA SKIRL SIDING

*Haida Skirl Siding is a wavy edge kiln dried bevel siding. It is irregular in width due to the manufacture of this unique siding. The wavy edge pattern is not applied using a cam or a set pattern. Trained wavy edge siding operators create a random pattern on each piece, which varies depending on the knot structure, grain characteristics, and the number of knots along the bottom edge of the piece. Haida Skirl wavy edge siding is appealing for its individual character and rustic appearance. It is a look that can not be replicated by any other material.*

**A. HANDLING** Keep your siding dry and clean. Stack siding 4-6" off the ground and under cover. If the wood must be stored over damp ground or new concrete, place a moisture barrier under the siding.

**B. PRIME BEFORE INSTALLING** After the siding has reached equilibrium moisture content and before it is installed, a coating on all surfaces is recommended. The type of coating will vary with the final finish selected. The coating protects the siding from water penetration, helps prevent marking caused by mildew and extractives and can increase the service life of top coats. Check with your paint dealer to make sure that the pre-finish coat you select is compatible with the intended finish coat.

**C. NAILING** Good nails and nailing practices are a must in the proper application of bevel siding.

Recommended nails are:

- Stainless steel
- Aluminum nail – high tensile strength
- Hot-dipped galvanized nail

\*Common wire nails and copper nails react with cedar and should never be used.

For best results, use "splitless" siding nails. These have thin shanks and blunt points which reduce splitting.

**i) NAIL SHANK** – a ring threaded or spiral threaded nail shank should be used for proper holding power.

**ii) NAIL POINT** – use a blunt medium diamond or blunt medium needle point.

**iii) NAIL SIZE** – For 7/8" and 15/16" thick siding applied over normal wood sheathing, a 10d splitless siding nail is recommended; for 11/16" and 3/4" thick siding use 8 d siding nails.

**iv) NAIL PENETRATION & SPACING** – The recommended nail penetration into solid wood base is 1-1/2". Bevel siding should be nailed to studs at 24" o.c. with solid sheathing and 16" o.c. maximum when applied without sheathing. All butt joints should be mitred and nailed on the stud. Do not double nail siding at the joint. Use one nail only.

**v) NEVER NAIL THROUGH TWO PIECES OF SIDING** – Wood is a natural cellular material. It will expand and contract as it takes on or loses moisture. It is essential that the siding be nailed correctly to allow for this natural movement. Nailing should be snug but not tight. The recommended procedure is for the nail to be driven through the butt edge of the overlapping siding a minimum of 1/8" above the thin edge of the underlying piece. The nail should be kept as close as possible to 1/8" above but should never exceed 1/4" above the thin edge of the underlying piece. Never nail through 2 pieces or courses of siding. This will not allow the siding to expand and contract freely and will result in splitting and cracking. See Diagram #2.

**D. LAP** For best results the following recommended laps should be used. Do not exceed the recommended lap as this can result in cupping. Haida Skirl siding should have the maximum lap.

WIDTH	MINIMUM LAP	MAXIMUM LAP
12"	1-1/2"	2"
10"	1-1/2"	2"
8"	1"	1-1/2"

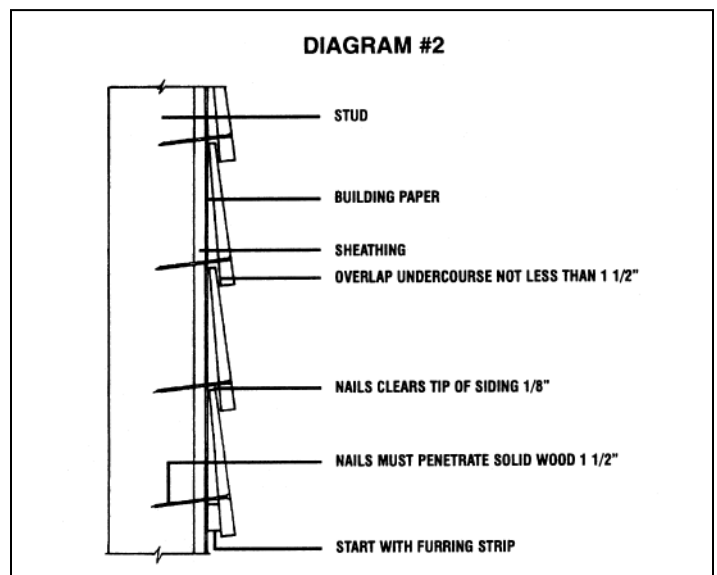
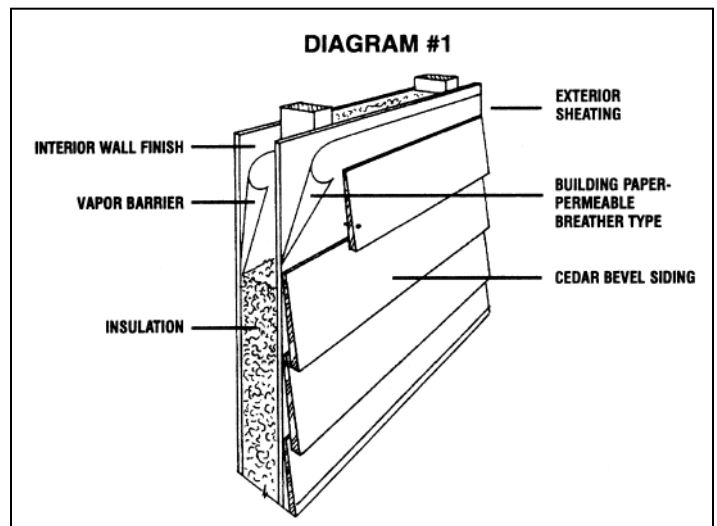
The width of Haida Skirl siding varies with the wavy edge. This is part of its unique appeal. The 1-1/2" - 2" lap is sufficient for most pieces. There could, however, be the occasional board that is narrower and would require a lap adjustment. Experienced applicators usually set these boards aside for use when ripping is required (for example, the top row of the siding or around windows and doors).

**E. APPLICATION:** Haida Bevel siding is applied the same as other bevel sidings using all of the above recommendations. Haida Skirl is applied in a similar manner to most Bevel sidings with one exception: the gauging of the rows is done from the top edge, due to the irregular line formed by the bottom wavy edge.

To commence applying Haida Skirl siding, do the following:

**i)** Determine the overall height to be covered by the siding.

**ii)** Mark this height along the length of a measuring stick (1x2) and divide it into spaces representing the courses of siding. First mark off a space 6" down from the top end for 10" Haida Skirl and 8" down from the top for 12" Haida Skirl. The remaining distance can now be divided into equal spaces depending upon whether you use the minimum 1-1/2" overlap or the recommended 2" overlap. i.e., for the 2" overlap this would be 7-1/2" exposure for the 10" Skirl and 9-1/2" exposure for the 12" Skirl.



- iii) It is recommended that building paper be used over sheathing – even styro-form. Apply one 36" course along the base to be covered by the siding.
  - iv) The first course of the siding does not lap over a preceding piece and so fails to cant outward at the proper angle. To adjust this, a wood starter strip should be placed around the base at the point where the lower edge of the first course of siding will be placed.
  - v) Using the measuring stick proceed to mark out at 36" intervals the position of the courses.
  - vi) Apply the siding with the top edge lining up along these marks. This will automatically provide the correct lap along the irregular lower edge.
  - vii) The corners for the best effect should be mitred. There will variances in depth where the skirled ends of the 2 pieces meet. These can be matched by sawing or chiseling one piece to match the other. Another popular method of handling corners is to butt up to wood corner strips.
  - viii) Where variances in depth occur at butt joints along the straight sections, adjust the wave or skirl to blend by chiseling – see Diagram #3.
  - ix) Where possible select pieces that blend naturally.
  - x) Haida Skirl is manufactured to closely resemble the natural wane of cedar boards cut from a log. There will be pieces that are more waney or wavy than others, depending upon the knot structure. Care should be taken to select siding boards so that there is a pleasing mixture of boards that are not heavily skirled with those that are. This mixture adds to the esthetic and natural appearance of the siding.
- Haida products are produced to the highest standards. The siding is kiln dried and knots that may require it are "permi-fused" to the surrounding wood to ensure that they do not fall out. The product can, however, receive some damage from the time it leaves the mill until it reaches the job site. Should this happen be sure to trim out any imperfections before application. These may be checks or split-ends. If any end-trimming is required, do not leave a large knot (over 1" in diameter) within 3" of the end of the piece. This can weaken the end of the siding and may lead to some end-splitting after application.
- xi) It is especially critical that application over styro-form sheathing be perfect. We recommend that a breathing type building paper be used between the styro-foam and the siding. It is also recommended that 10" wide siding be used rather than 12".

**F. APPLYING SIDING OVER RIGID FOAM SHEATHING:** Rigid foam sheathing has an insulation value superior to that of traditional lumber and plywood sheathings. However, it has little or no nail holding power and using rigid foam sheathing as a nailing base for cedar siding is definitely not recommended. The nail must penetrate into a solid wood base ideally 1-1/2". For use over 1" foam sheathing the recommended nail is a 3-1/2" 16d splitless siding nail. In all cases it is recommended that building paper or an equivalent building wrap be applied over the foam sheathing.

**G. FINAL FINISHING:** Western Red Cedar is one of the easiest materials to finish. Quality coating systems can be used with confidence for a variety of decorative effects. This is an outstanding advantage of cedar – it is not limited to one colour treatment.

Quality semi-transparent and solid bodied stains are excellent finishes. They are easy to use, available in wide range of colours and they highlight the texture, natural grain and beauty of cedar.

Cedar sidings should be protected. They should not be left to weather naturally. This can cause splitting, excessive shrinking, and uneven colouring due to different exposure to the elements. If a weathered appearance is desired a bleaching stain should be used.

Information on all methods of finishing should be obtained from the paint or stain manufacturer or from the dealer.

Siding should be acclimatized to its surroundings. It is recommended that the siding be pre-primed both on the face and back sides and on the ends.

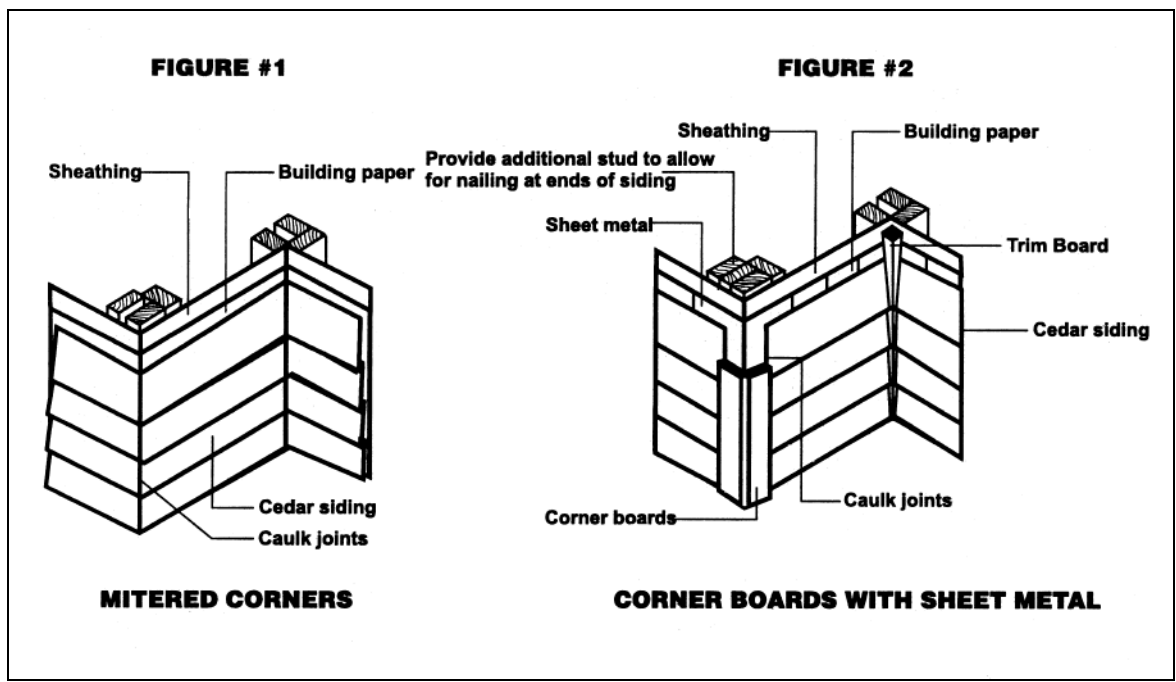
**HELPFUL HINTS**

**CORNERS:** At inside corners, siding is frequently butted against a trim strip. It can also be butted against adjoining walls with a trim strip used to cover the joint.

At outside corners, some builders choose mitred corners for a professional looking finish. Mitred corners are most common on horizontally applied siding and they must fit tightly for the full depth of the miter. To maintain a tight fit, the siding should be properly seasoned before installation and protected from the weather at the job site. The ends are often set in caulking compound when siding is applied (see Figure 1).

Corner boards are a popular alternative to mitred corners. Corner boards are applied to the sheathing with siding fitting tightly against the narrow edge of the boards. Joints should be fitted with caulking compound when siding is applied (see Figure 2).

A useful tip in installing corner boards is to apply metal corners over the building paper. The corner boards and the ends of the siding are nailed through the sheet metal which anchors the wood for a maintenance-free joint. Designing roofs with an eaves overhang to protect the corners from weathering also helps ensure trouble-free joints. When butt joining siding, cut ends at 45° angles to form an overlapping joint. Butt joints between boards should be staggered and made on studs. Caulking butt joints is recommended.



\*Always check with your local Building Inspector's office for Updated Installation Requirements or Building Code Requirements. It is the responsibility of the installer to insure that the siding is correctly applied according to local building codes.

